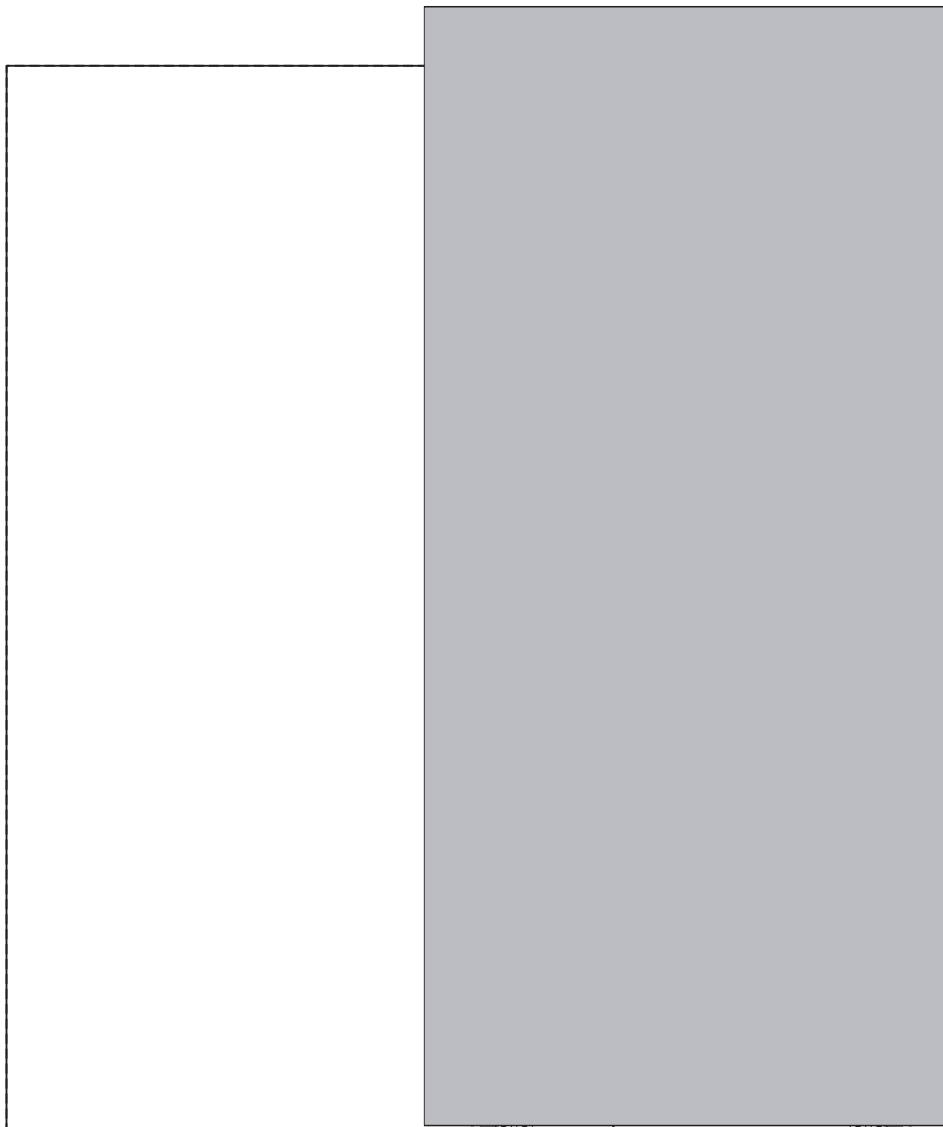
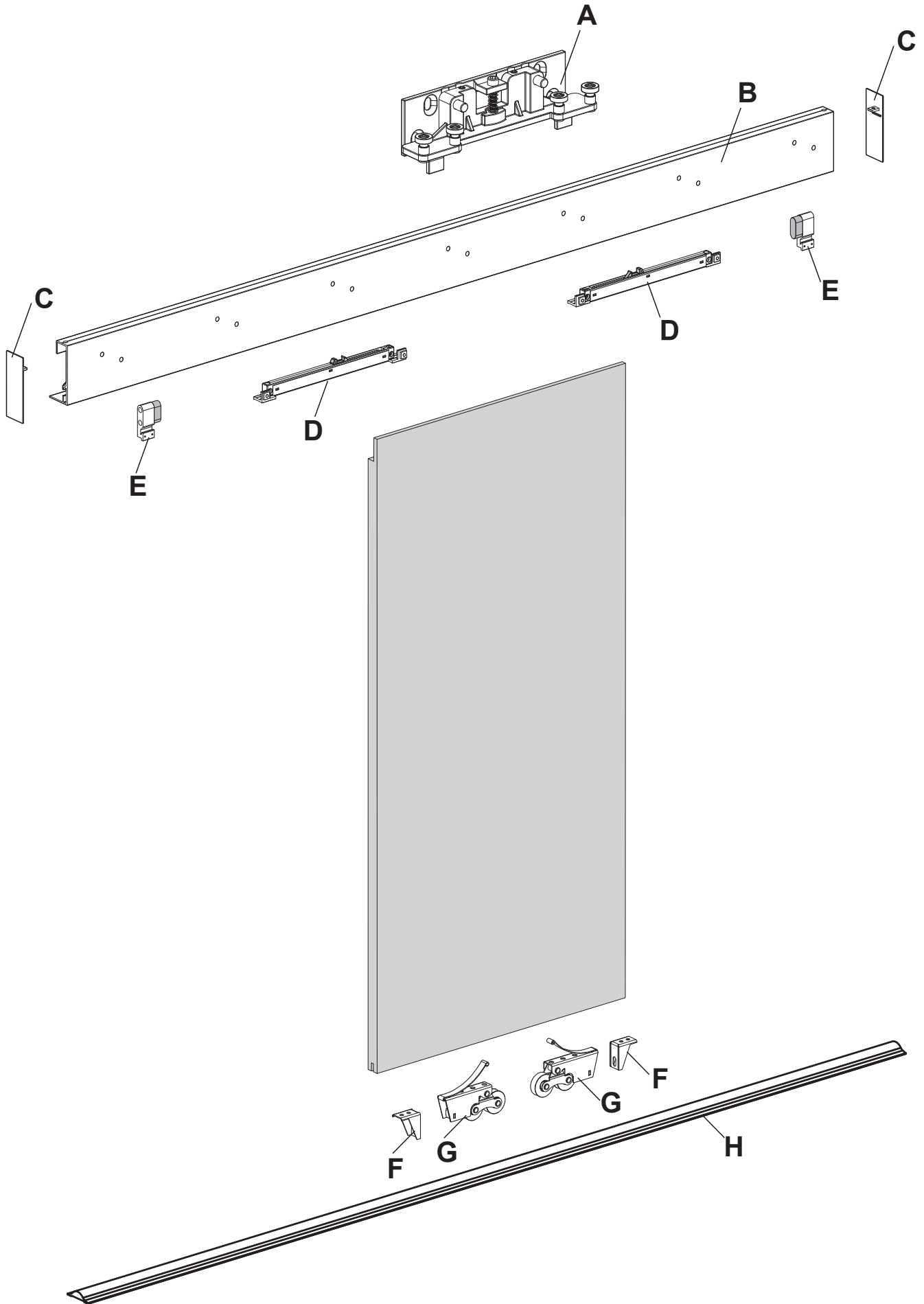


# Installation manual

---

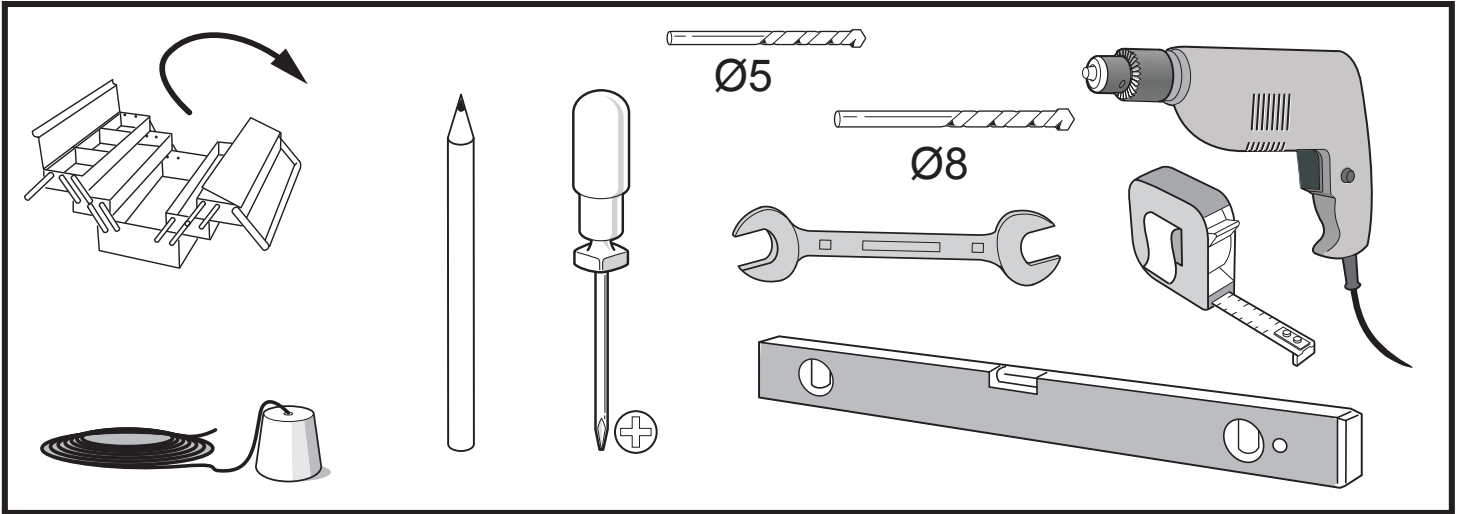


# Components list



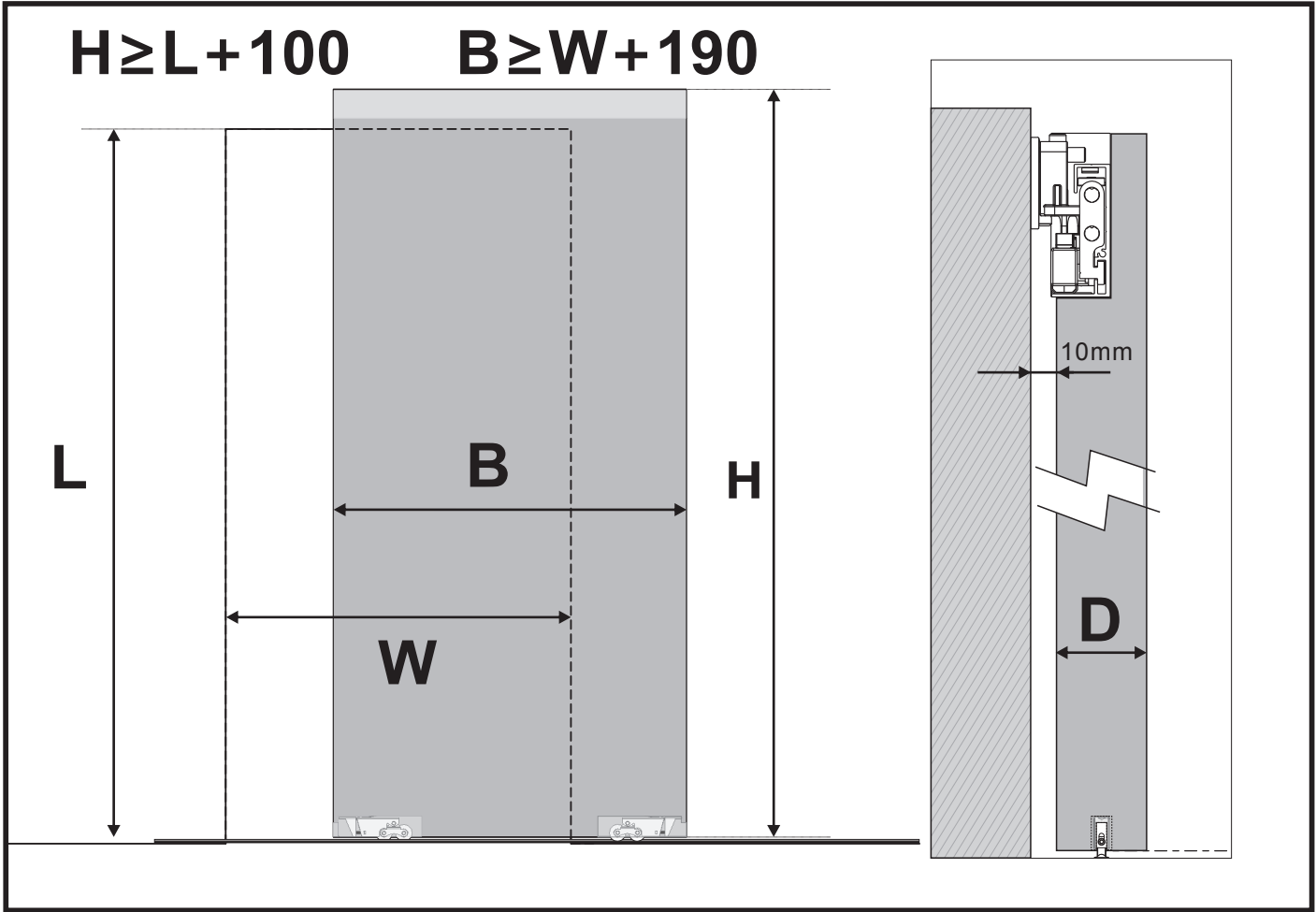
# Pre-installation

## TOOLS REQUIRED

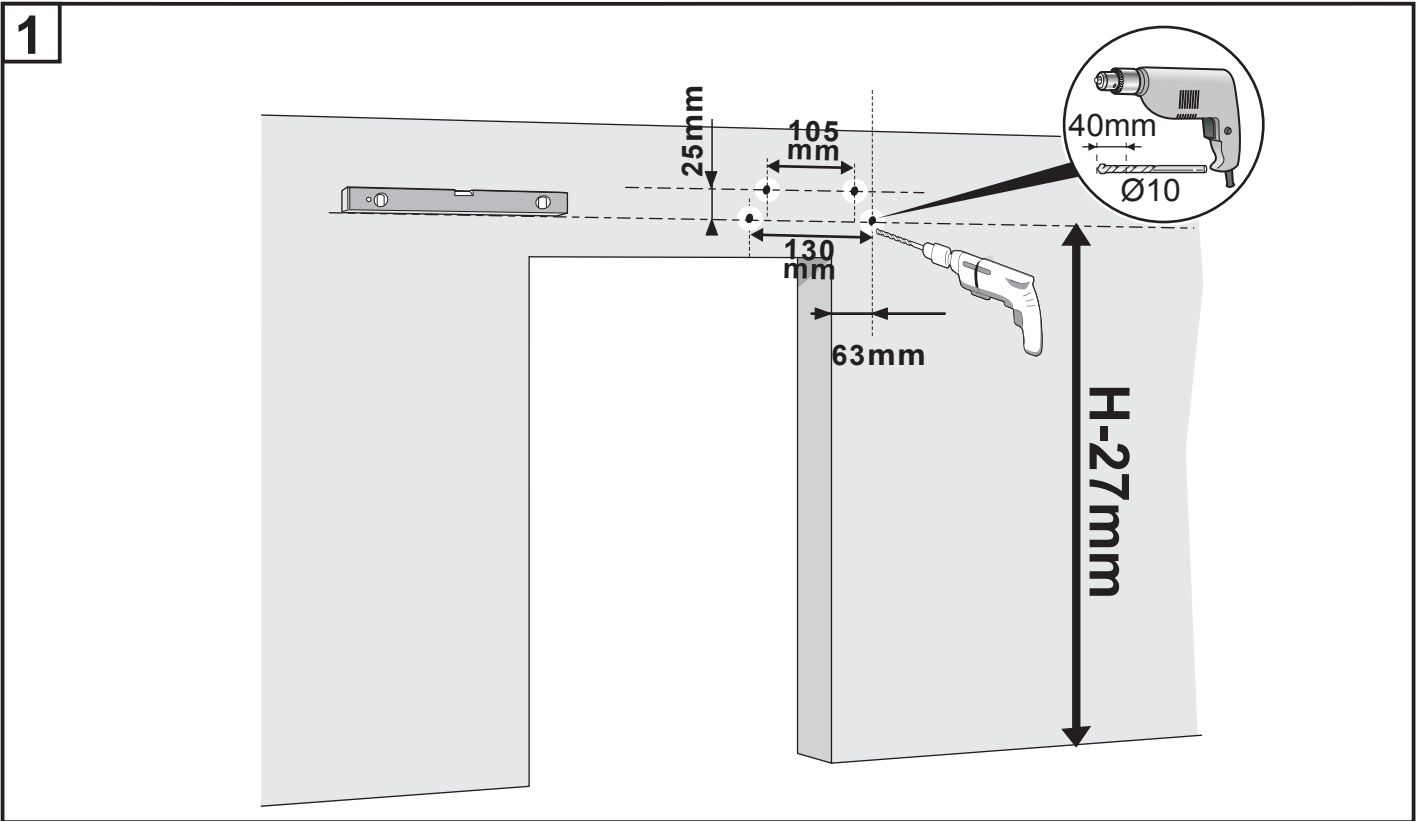


## HARDWARE INCLUDED

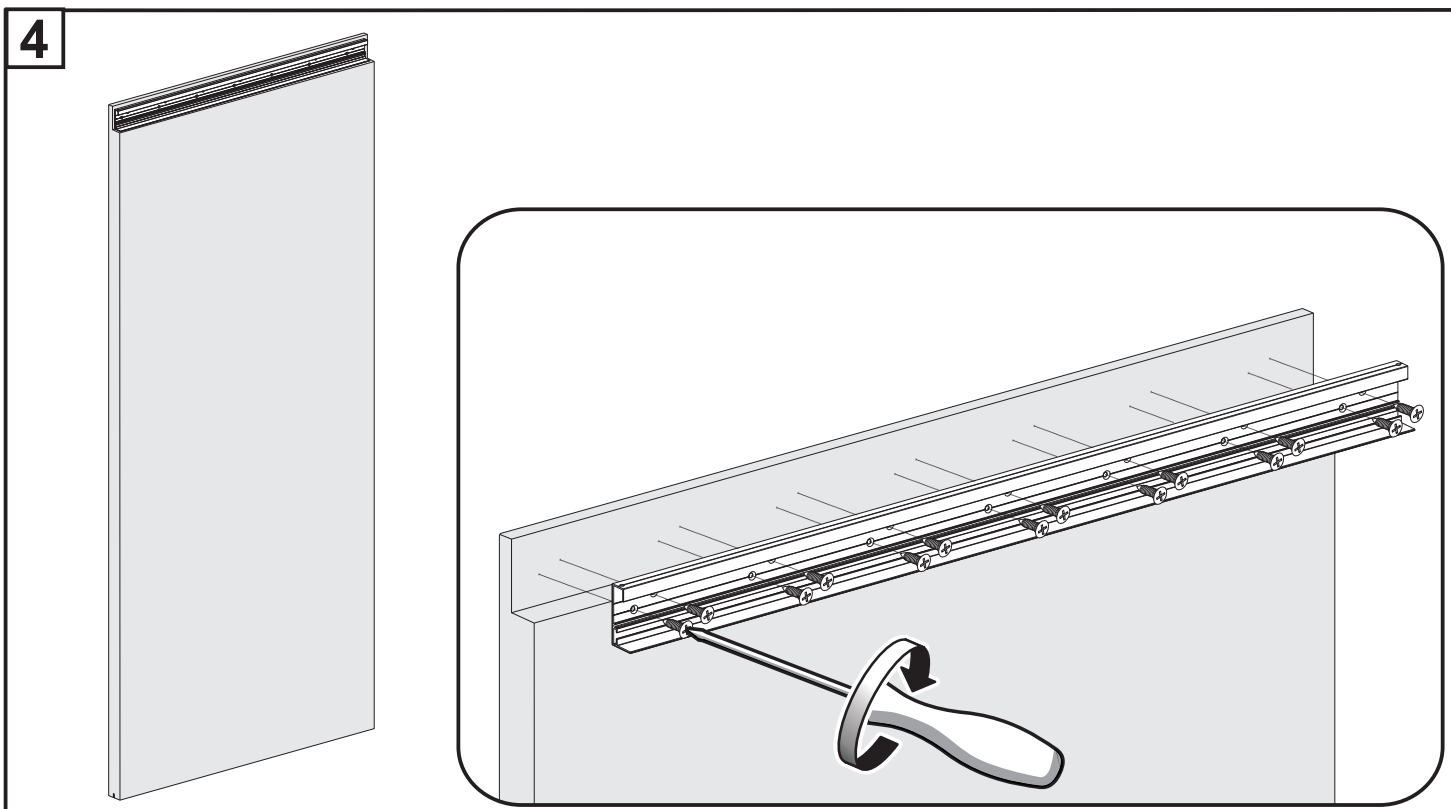
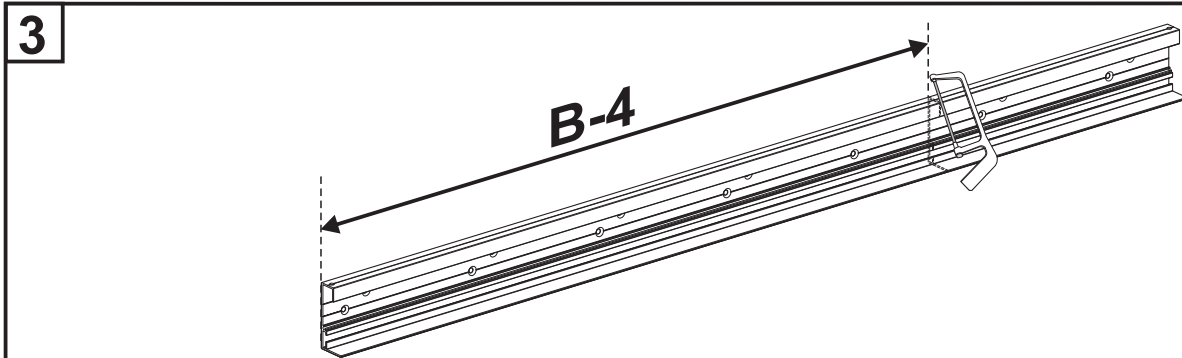
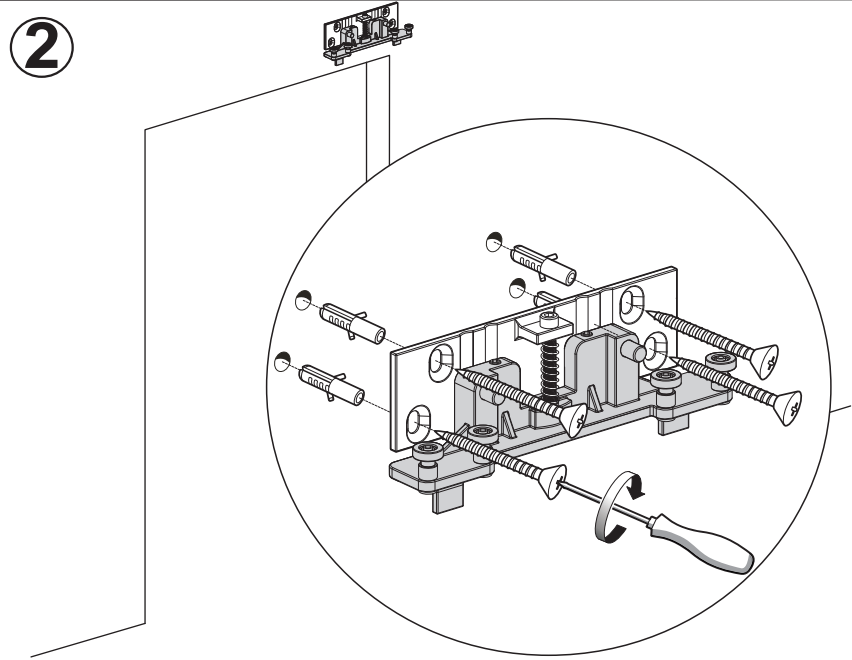
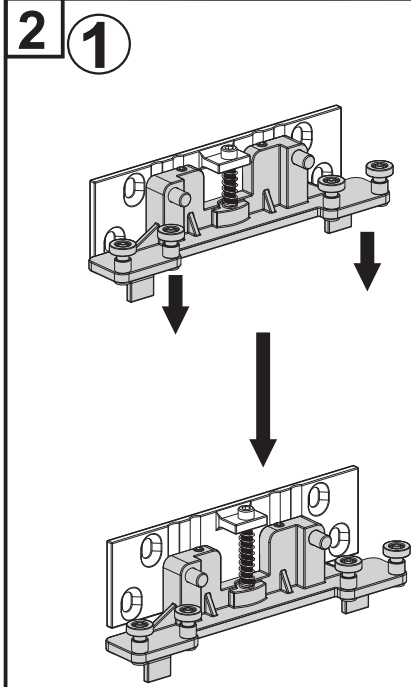
<p><b>A</b></p> <p>x4 ST5.5x32</p> <p>Ø10 (x4)</p> <p>x1</p>	<p><b>B</b></p> <p>x14 ST3.9x13</p> <p>x1</p>	<p><b>C</b></p> <p>x2 M4x8</p> <p>x1</p> <p>x1</p>
<p><b>D</b></p> <p>x1</p> <p>x1</p>	<p><b>E</b></p> <p>x1</p> <p>x1</p>	<p><b>F</b></p> <p>x2 M5x25</p> <p>x4 ST3.9x25</p> <p>x2</p>
<p><b>G</b></p> <p>x1</p>	<p>(x1)</p> <p>2mm 3mm 2.5mm 4mm</p>	



# Installation

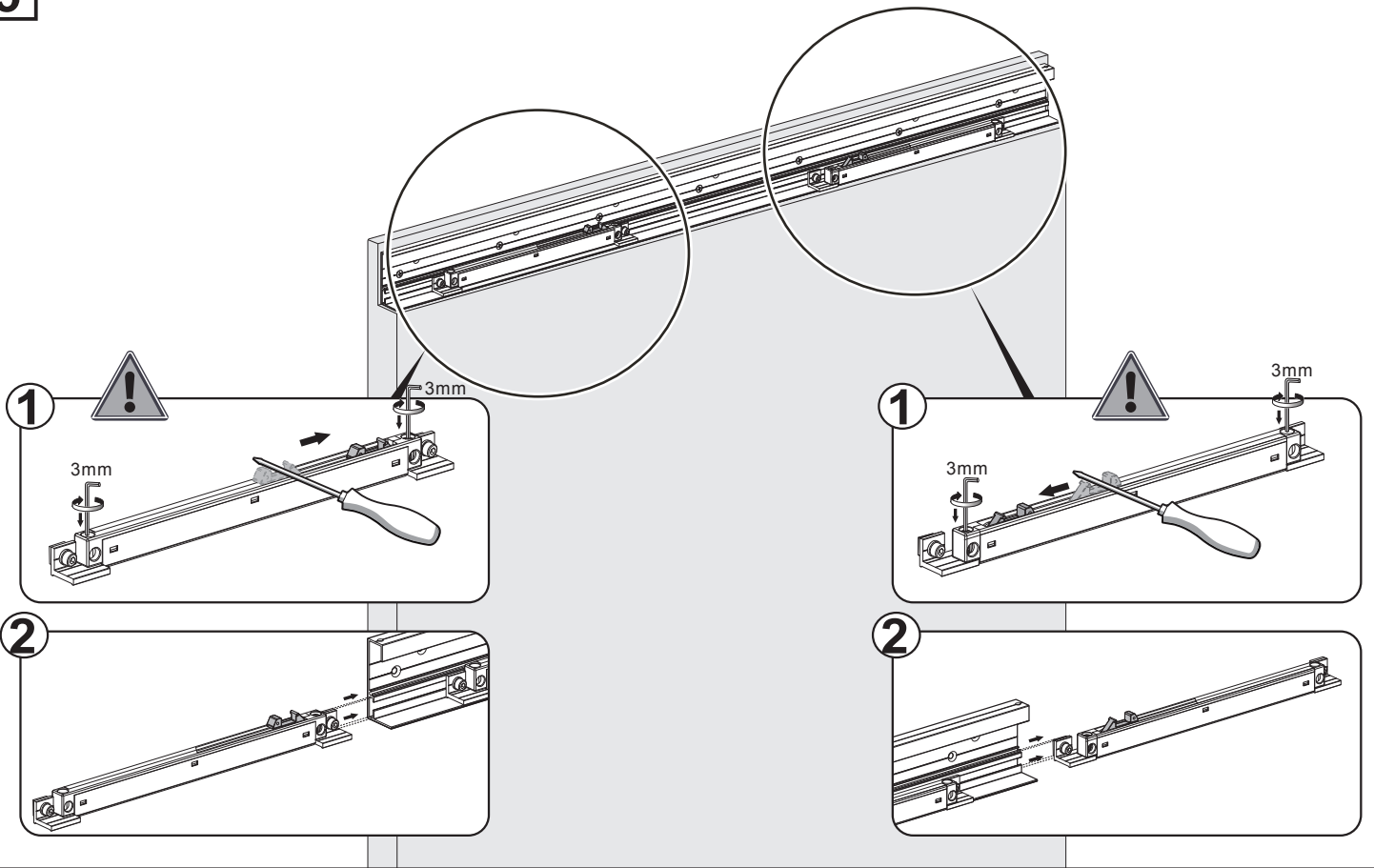


# Installation

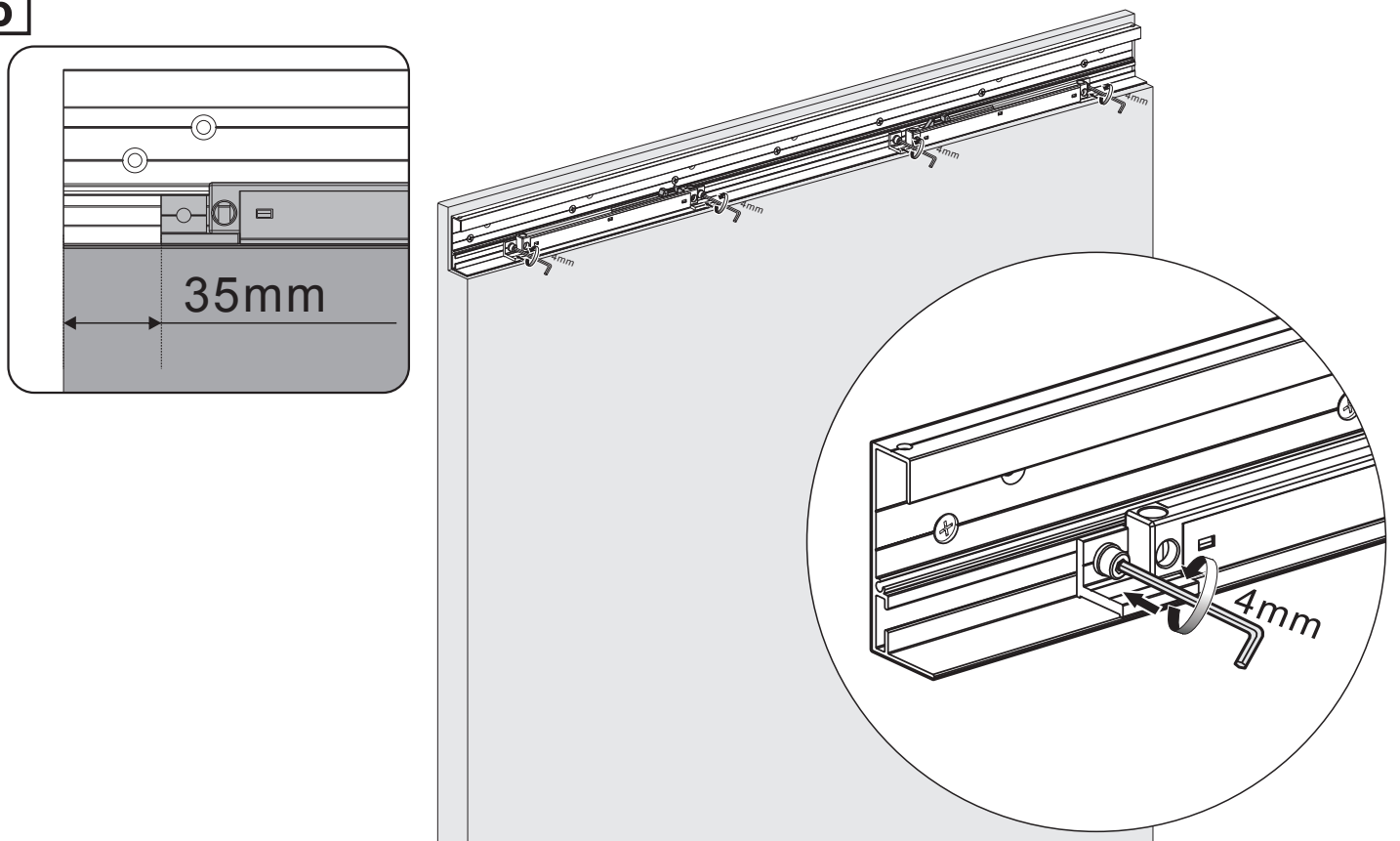


# Installation

5

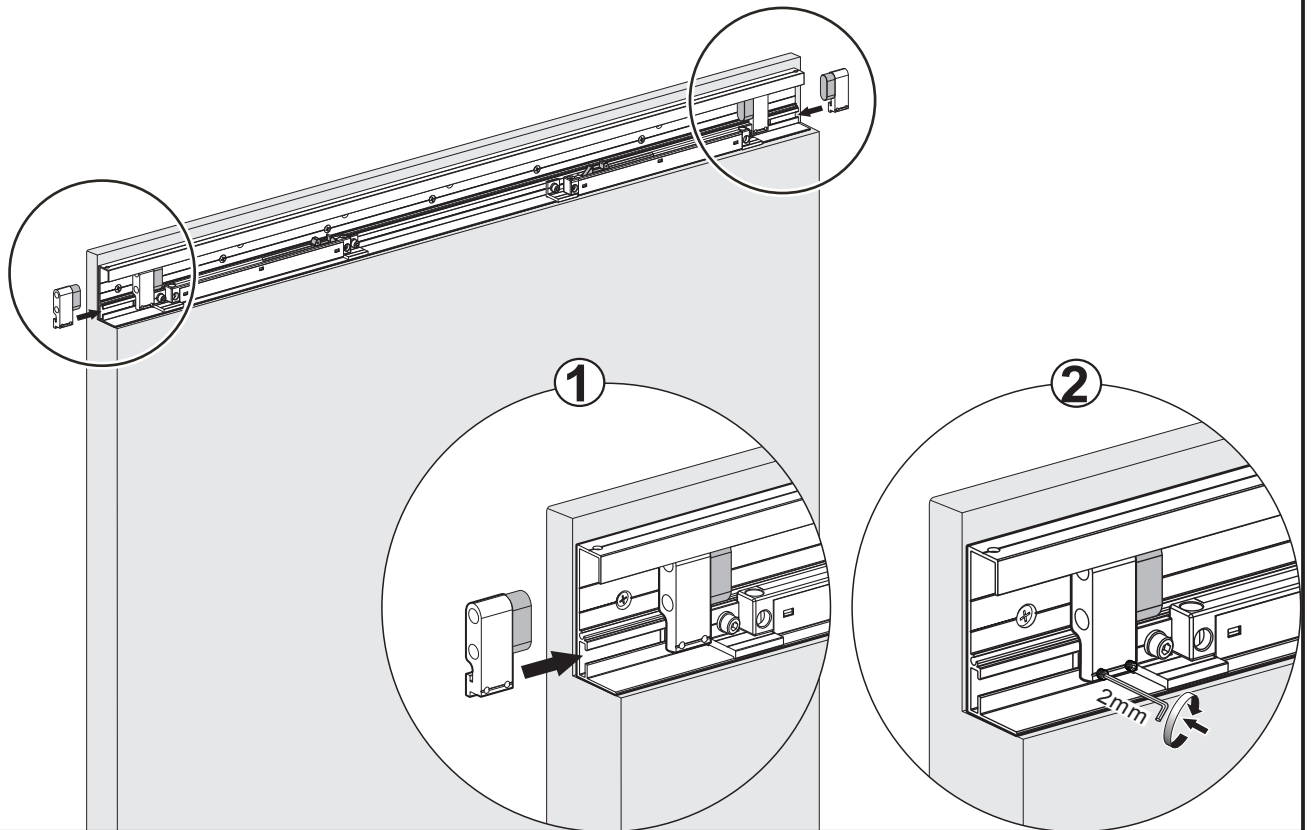


6

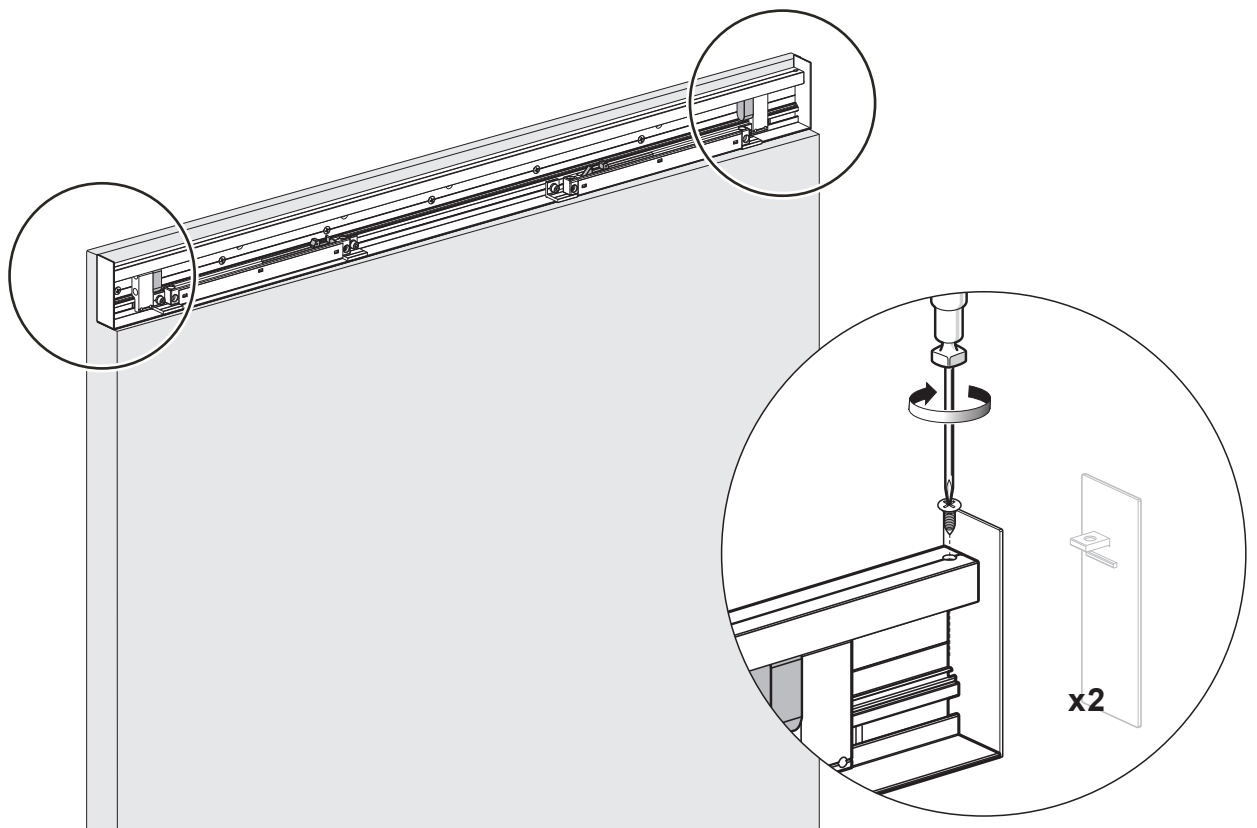


# Installation

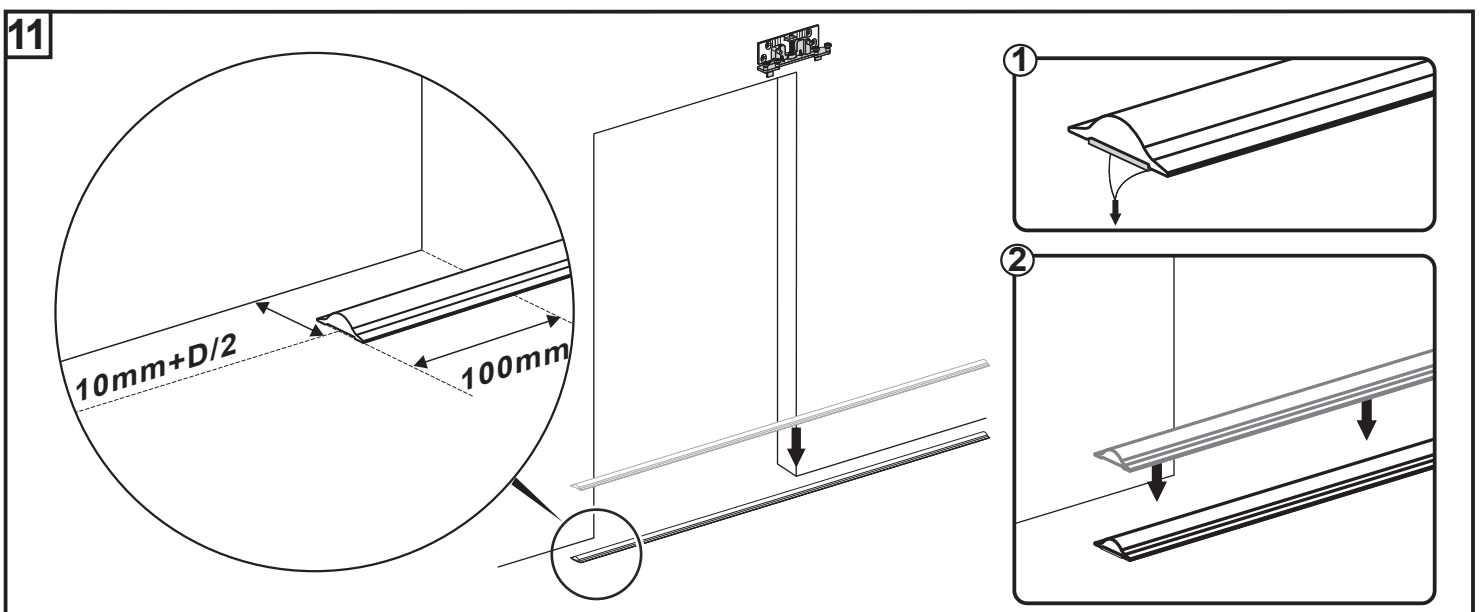
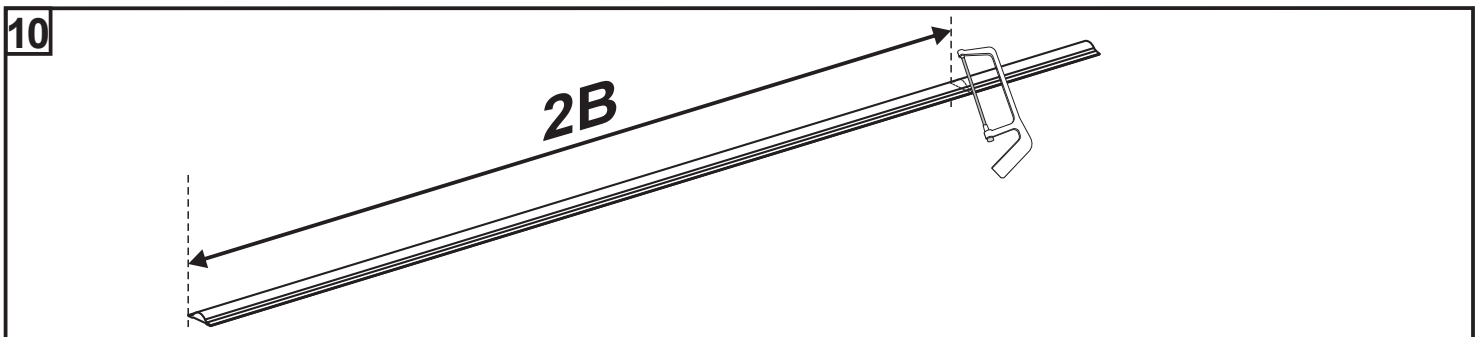
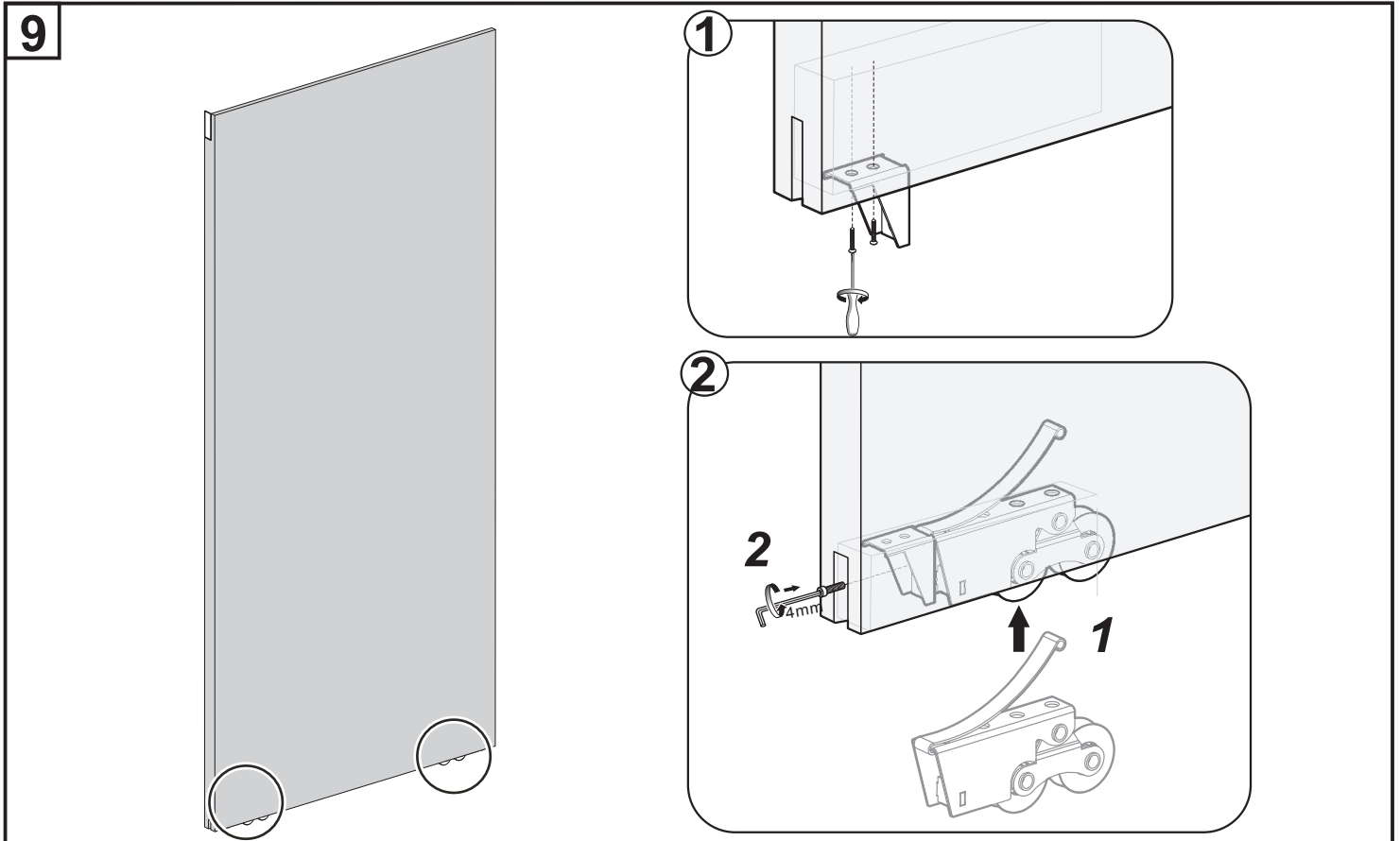
7



8



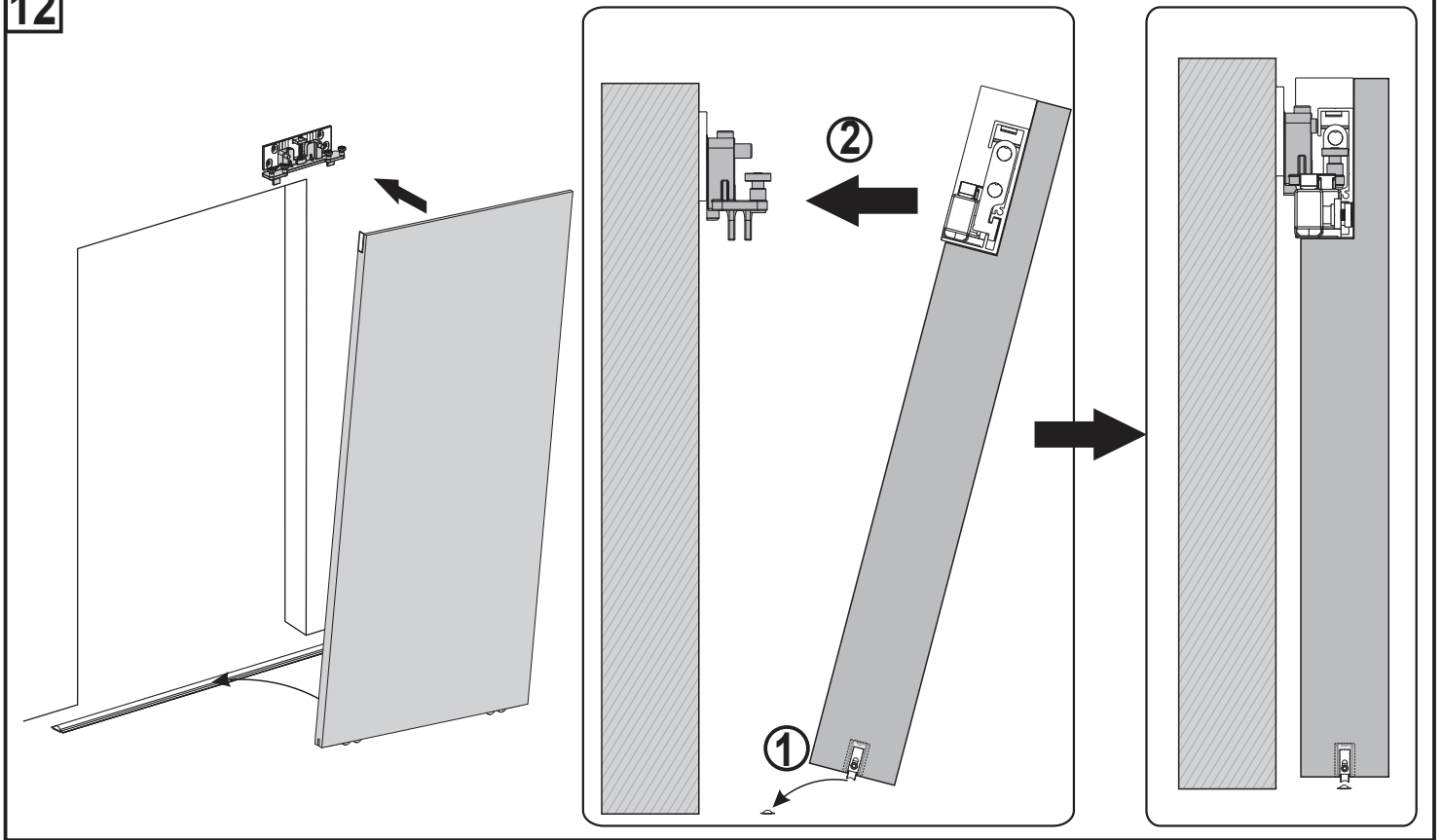
# Installation



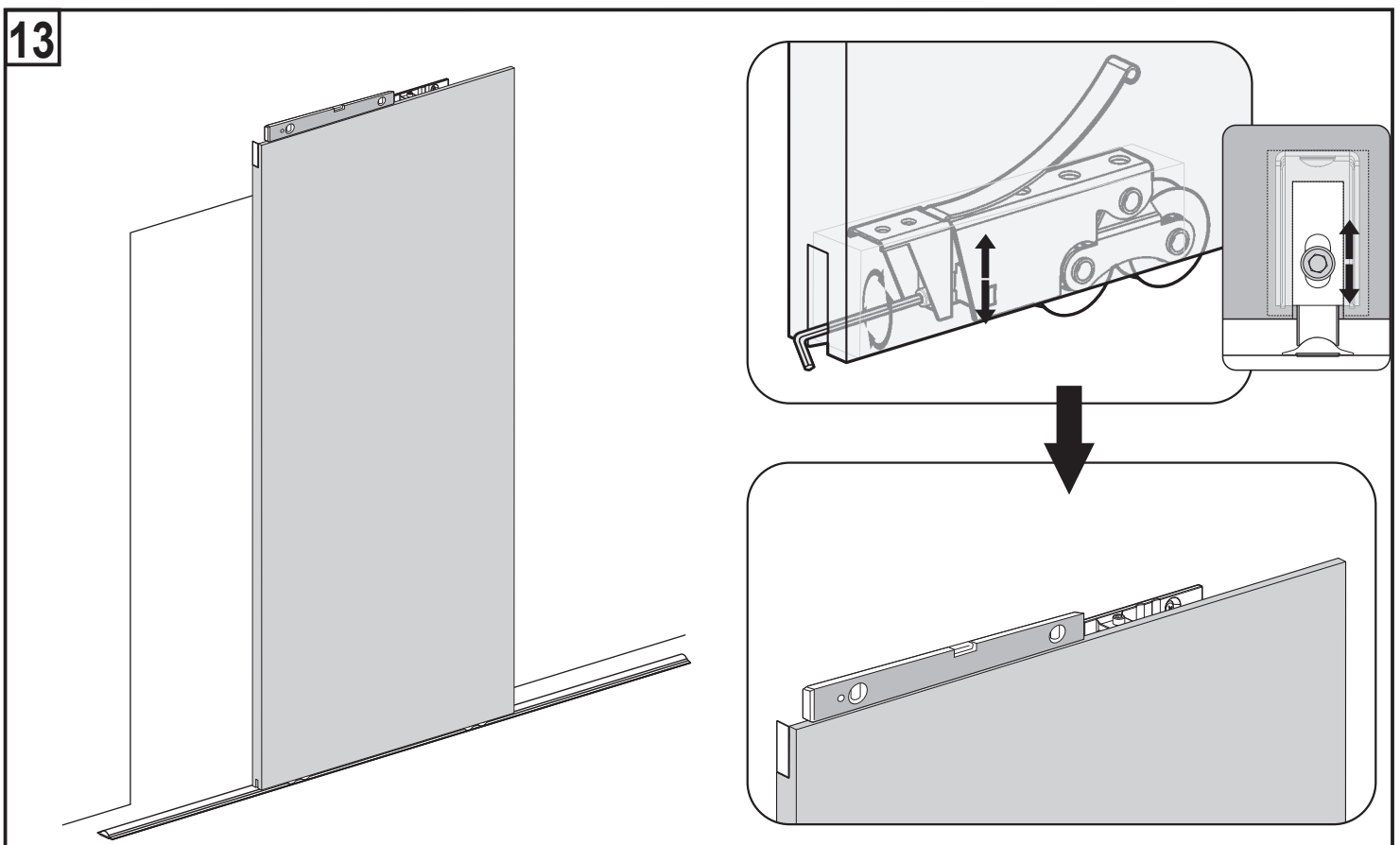


# Installation

12

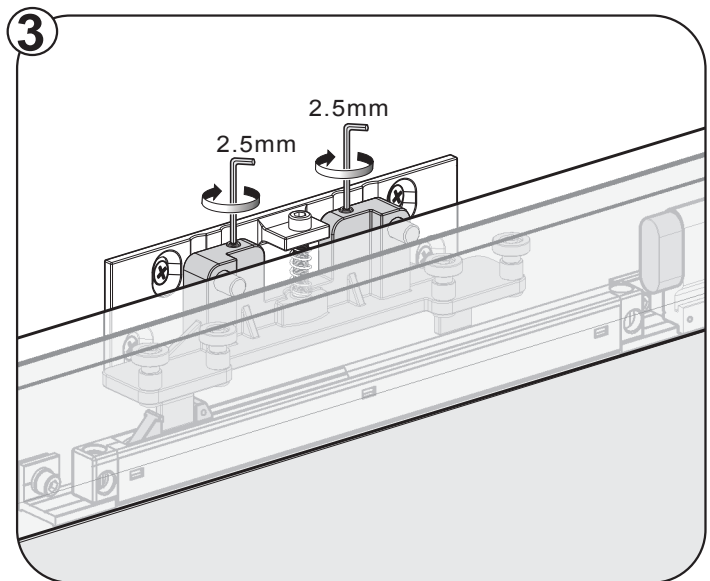
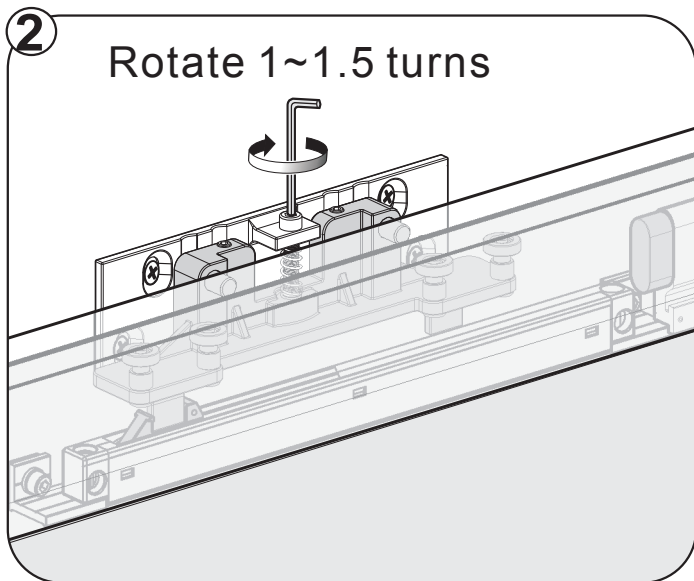
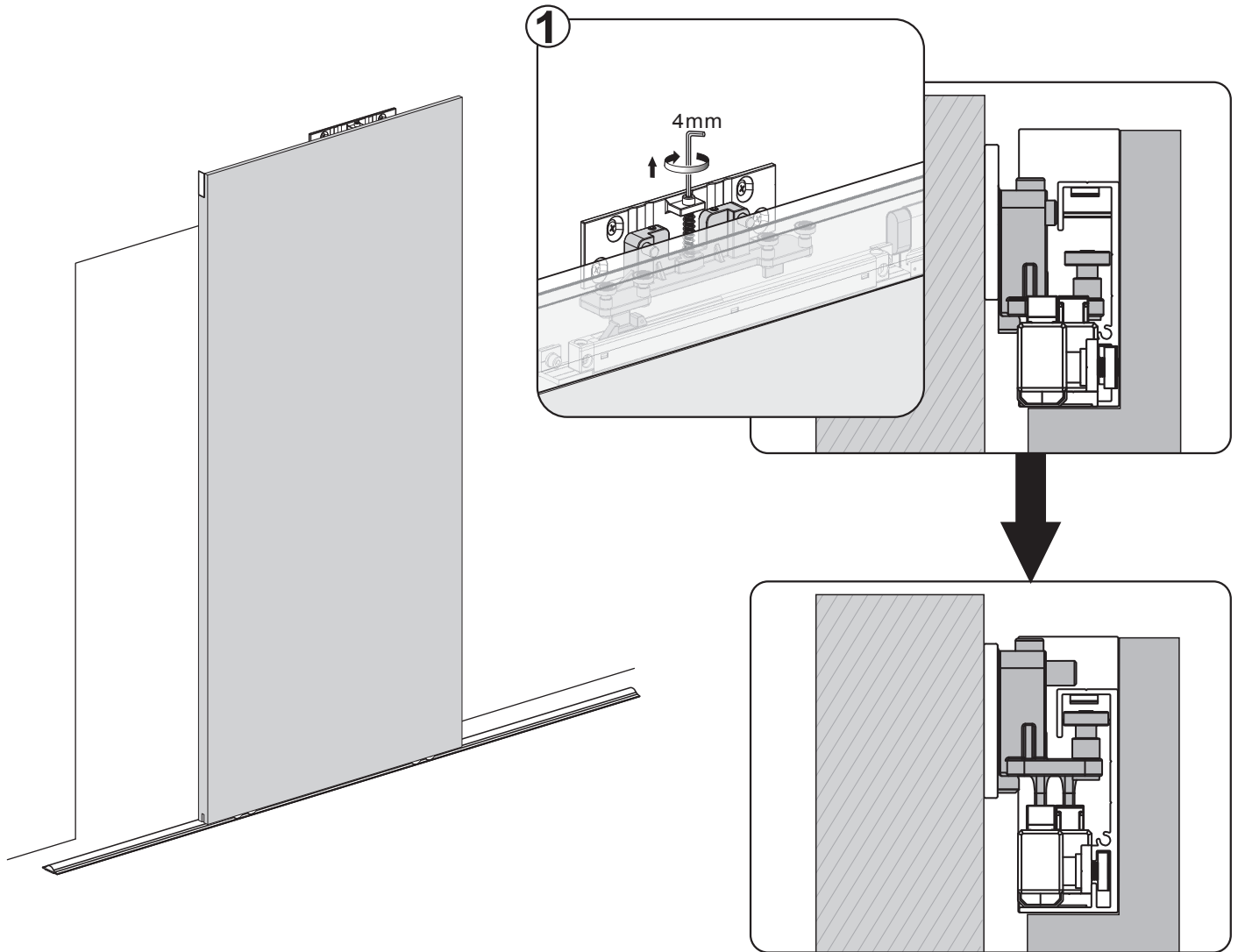


13



# Installation

14



# Installation

